

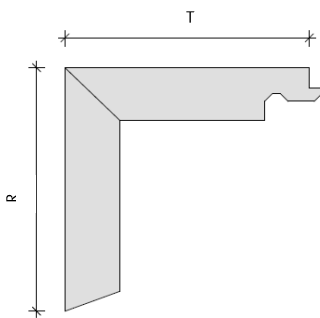
# Order template for special orders for stair nosings



**Stair nosing standard dimensions:**  
**T 60 mm x R 60 mm**  
 (Parquet Plank 1-Strip, Parquet Longstrip, Parquet Scala, Strip Parquet Maxim, Laminate, Disano)  
**T 58 mm X R 58 mm**  
 (Strip Parquet Prestige, Parquet Toscana)

**Stair nosing standard length:**  
 Parquet Plank 1-Strip, Parquet Longstrip, Strip Parquet Maxim: 218 cm  
 Strip Parquet Prestige: 98 cm  
 Parquet Scala: 173 cm  
 Disano: 200 cm  
 Laminate: 126 cm

## Variant 1 – Stair nosing in standard design



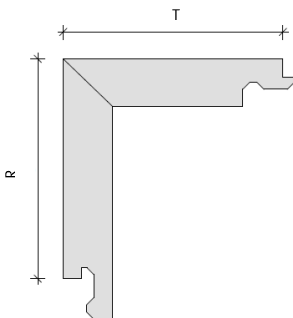
- Standard dimensions
- Special order: Dimension T = \_\_\_\_\_ mm  
Dimension R = \_\_\_\_\_ mm
- Standard length
- Special length: \_\_\_\_\_ cm

(N.B.: the complete standard length has to be charged and paid for in case of a special length!)

Quantity: \_\_\_\_\_ pcs

Material no. of floor: \_\_\_\_\_

## Variant 2 – Stair nosing with connection on both sides



- Standard dimensions
- Special order: Dimension T = \_\_\_\_\_ mm  
Dimension R = \_\_\_\_\_ mm
- Standard length
- Special length: \_\_\_\_\_ cm

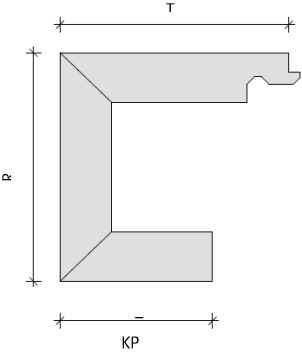
(N.B.: the complete standard length has to be charged and paid for in case of a special length!)

Quantity: \_\_\_\_\_ pcs

Material no. of floor: \_\_\_\_\_

# Order template for special orders for stair nosings

## Variant 3 – Stair nosing with kick plate (except for laminate stair nosing and Disano design floor)



- Standard dimensions (T 60 mm; R 40 mm, KP 20 mm)
- Special order: Dimension T = \_\_\_\_\_ mm  
 Dimension R = \_\_\_\_\_ mm  
 Dimension KP = \_\_\_\_\_ mm
- Standard length
- Special length: \_\_\_\_\_ cm

(N.B.: the complete standard length has to be charged and paid for in case of a special length!)

Quantity: \_\_\_\_\_ pcs  
 Material no. of floor: \_\_\_\_\_